
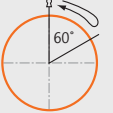



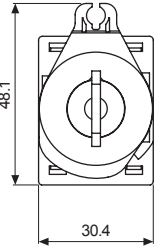
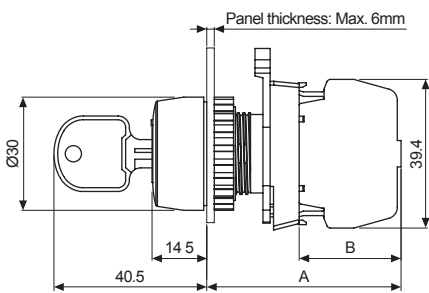


Ø22/25 Key Selector Switches

Ø22/25 Round Key Selector Switches (S2KR Series)

Type	Appearance	Operating position		Model	Contact block		LED block										
					A contact	B contact	AC/DC voltage	AC voltage									
Extended	 S2KR-1E□	2-position, spring return key removal: center		S2KR-1E□A(M)	1	—	—	—									
				S2KR-1E□2A(M)	2	—											
				S2KR-1E□B(M)	—	1											
				S2KR-1E□2B(M)	—	2											
				S2KR-1E□AB(M)	1	1											
		2-position, maintained key removal: right		S2KR-2D□A(M)	1	—											
				S2KR-2D□2A(M)	2	—											
				S2KR-2D□B(M)	—	1											
				S2KR-2D□2B(M)	—	2											
		2-position, maintained key removal: center		S2KR-2E□A(M)	1	—											
				S2KR-2E□2A(M)	2	—											
				S2KR-2E□B(M)	—	1											
				S2KR-2E□2B(M)	—	2											
		2-position, maintained key removal: center + right		S2KR-2F□AB(M)	1	1											
				S2KR-2F□A(M)	1	—											
				S2KR-2F□2A(M)	2	—											
				S2KR-2F□B(M)	—	1											
				S2KR-2F□2B(M)	—	2											
						S2KR-2F□AB(M)			1	1							
				※□ indicates color: K , S ※The M in the model name indicates modular type contact block. Models without M are singular contact block. ※The control unit, contact blocks, LED blocks are sold separately. (control unit: bold letters, contact block: regular letters) ※Connect up to 2 contact blocks. Connect the contact blocks only on the right and left side slots. It will not operate if connected to the center slot.													
		• Dimensions															
																	
																	
				(unit: mm)													
				<table border="1"> <thead> <tr> <th></th> <th>A</th> <th>B</th> </tr> </thead> <tbody> <tr> <td>Singular type</td> <td>51.5</td> <td>27.0</td> </tr> <tr> <td>Modular type</td> <td>49.5</td> <td>25.0</td> </tr> </tbody> </table>						A	B	Singular type	51.5	27.0	Modular type	49.5	25.0
	A	B															
Singular type	51.5	27.0															
Modular type	49.5	25.0															
				※For panel cut-out dimensions, please refer to page A-82.													

Ø22/25 Key Selector Switches

Control Switches

Ø16

Ø22/25

Ø30

□30

Push Button Switches

Round

Square

Rectangular

Selector Switches

Round

Square

Rectangular

Key Selector Switches

Round

Square

Rectangular

Double Push Button Switches



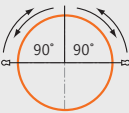
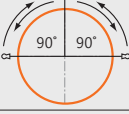
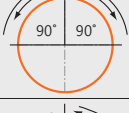
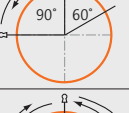
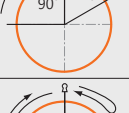

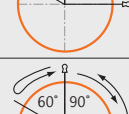
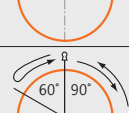
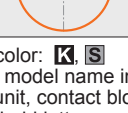
Mushroom head Push Button Switches

Emergency Switches

Pilot Lights

Accessories

Buzzers

Type	Appearance	Operating position	Model	Contact block		LED block	
				A contact	B contact	AC/DC voltage	AC voltage
Extended		3-position, spring return two-way key removal: center	 S2KR-3E □2A(M)	2	—	—	—
			S2KR-3E □2B(M)	—	2		
			S2KR-3E □AB(M)	1	1		
		3-position, maintained key removal: left + right	 S2KR-4B □2A(M)	2	—		
			S2KR-4B □2B(M)	—	2		
			S2KR-4B □AB(M)	1	1		
		3-position, maintained key removal: left+center + right	 S2KR-4C □2A(M)	2	—		
			S2KR-4C □2B(M)	—	2		
			S2KR-4C □AB(M)	1	1		
		3-position, maintained key removal: center	 S2KR-4E □2A(M)	2	—		
			S2KR-4E □2B(M)	—	2		
			S2KR-4E □AB(M)	1	1		
		3-position, spring return from right key removal: left	 S2KR-5A □2A(M)	2	—		
			S2KR-5A □2B(M)	—	2		
			S2KR-5A □AB(M)	1	1		
		3-position, spring return from right key removal: center	 S2KR-5E □2A(M)	2	—		
			S2KR-5E □2B(M)	—	2		
			S2KR-5E □AB(M)	1	1		
		3-position, spring return from right key removal: left+center	 S2KR-5G □2A(M)	2	—		
			S2KR-5G □2B(M)	—	2		
			S2KR-5G □AB(M)	1	1		
		3-position, spring return from left key removal: right	 S2KR-6D □2A(M)	2	—		
			S2KR-6D □2B(M)	—	2		
			S2KR-6D □AB(M)	1	1		
3-position, spring return from left key removal: center	 S2KR-6E □2A(M)	2	—				
	S2KR-6E □2B(M)	—	2				
	S2KR-6E □AB(M)	1	1				
3-position, spring return from left key removal: center + right	 S2KR-6F □2A(M)	2	—				
	S2KR-6F □2B(M)	—	2				
	S2KR-6F □AB(M)	1	1				

※□ indicates color: **K**, **S**

※The M in the model name indicates modular type contact block. Models without M are singular contact block.

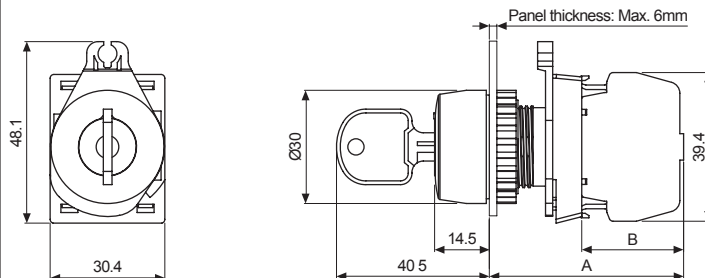
※The control unit, contact blocks, LED blocks are sold separately.

(control unit: bold letters, contact block: regular letters)

※Connect up to 2 contact blocks. Connect the contact blocks only on the right and left side slots. It will not operate if connected to the center slot.

• Dimensions

(unit: mm)




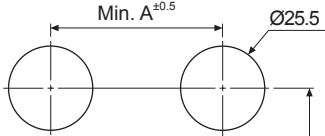
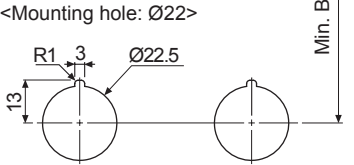









	A	B
Singular type	51.5	27.0
Modular type	49.5	25.0

※For panel cut-out dimensions, please refer to page A-82.

Ø22/25 Panel Cut-out Dimensions

Ø22/25 Panel Cut-out Dimensions

(unit: mm)

Type		A	B	Panel Cut-out Dimensions	
Round/Square Push Button Switches (S2PR/S2PRS Series)			33	55	<p><Mounting hole: Ø25></p>  <p><Mounting hole: Ø22></p> 
Round Selector Switches (S2SR/S2SRN Series)	Short lever		33	55	
	Long lever		55	55	
Round Key Selector Switches (S2KR Series)			33	55	
Double Push Button Switches (S2TR Series)			33	60	
Mushroom-head Push Button Switches (S2BR Series)			33	55	
Emergency Switches (S2ER Series)	D30		33	55	
	D40		55	55	
	D60		80	80	
Pilot Lights (L2RR Series)			33	55	